

4

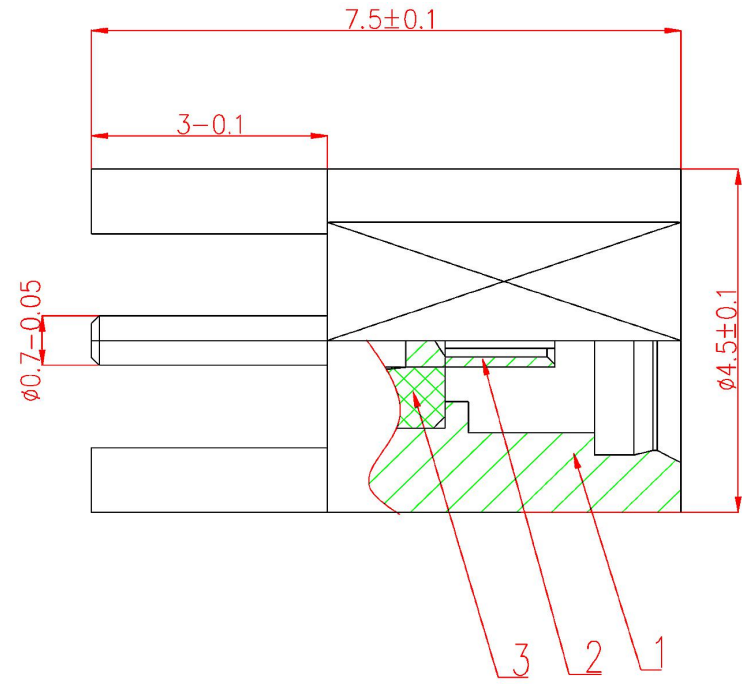
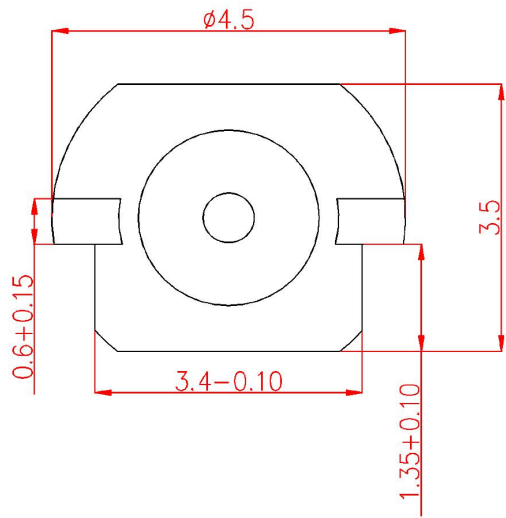
3

2

1

THIS DRAWING UNPUBLISHED.	RELEASED FOR PUBUCATION
---------------------------	-------------------------

LOC	DIST	REVISIONS					
---	---	P	LTR		DATE	DWN	APVD
			---	---	---	---	---



- NOTES:
- ELECTRICAL:
 - IMPEDANCE: 50Ω
 - INSULATION RESISTANCE: 5000M Ω
 - FREQUENCY RANGE: DC-6 GHz
 - DIELECTRIC WITHSTANDING VOLTAGE: 750V MAX AT SEA LEVEL
 - VSWR: ≤1.20:1
 - INSERTION LOSS: 0.25dB (MAX)

MODEL	1	2	3
XQY-MMCXKEF-TB	BRASS	BERYLLIUM BRONZE	PTFE
	GOLD PLATING	GOLD PLATING	/
Accept custom sizes and styles			

- ENVIRONMENTAL:
 - TEMPERATURE RANGE: -55° to +125°

- MATERIAL AND FINISH:
 - INNER CONDUCTOR MATERIAL: BERYLLIUM BRONZE GOLD PLATING
 - INSULATOR: PTFE
 - EXTERNAL CONDUCTOR MATERIAL: BRASS GOLD PLATING

THIS DRAWING IS A CONTROLLED DOCUMENT		21/10/2021	Shenzhen xinqiyuan Technology Co., Ltd.		
		CHK			
DIMENSIONSMM	TOLERANCES UNLESS OTHERWISE SPECIFIED: ±0.1 Note: Dimensions (mm / [inch])	APVD	NAME MMCX Female RF Coaxial Connector Printed circuit board		
		APPLICATION SPEC	SIZE A4	CAGE CODE 01021	DRAWING NO XQY-MMCXKEF-TB
		WEIGHT			

4

3

2

1